

**MF52 SERIES NTC THERMISTORS
DATA SHEET**

CUSTOMER : _____

ITEM NO. : 11/5110 MF52-471k

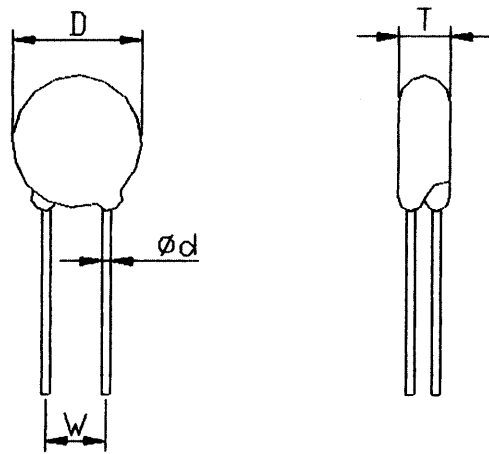
APPLICATION : _____

DATE : 2004/02/11

CUSTOMER			PRODUCE		
APPROVAL			APPROVAL		
TECHNICAL	EXAMINE AND VERIFY	APPROVE	TECHNICAL	EXAMINE AND VERIFY	APPROVE

PRODUCT P/N : MF52-471 K

DIMENSION : (mm)



ITEM NO.	Dmax	Tmax	w	Ød
MF52-471K	4.0	3.0	3.0±1.0	0.45±0.05

ELECTRONIC PARAMETER :

RESISTOR VALUE	B VALUE	DISSIPATIVE FACTOR	TIME FACTOR	WORK TEMPERATURE
$\Omega \pm 10\%$	$K \pm 5\%$	mw/°C	S	°C
470	2950	≥ 3.0	≤ 15	-40~+180

INSPECTION METHOD :

NUMBER	INSPECTION ITEM	CONDITION	SPECIFICATION REQUIREMENT
1	APPEARANCE AND MARK		THE MARK SHOULD BE CLEAR AND NO DAMAGE ON THE BODY
2	DIMENSION		MEET WITH THE DIMENSION DRAWING
3	RESISTOR VALUE		$470 \Omega \pm 10\%$
4	DIELECTRONIC STRENGTH	700V AC/1 MINUTES	SHOULD NO SHORT CIRCUIT $\Delta R/R \Delta \leq \pm 15\%$
5	INSULATE RESISTOR VALUE	TEST VOLTAGE : DC $150 \pm 10V$	$\geq 500M \Omega$ $\Delta R/R \Delta \leq \pm 15\%$
6	SOLDING CHARACTERISTIC	SOLD TEMPERATURE : $235 \pm ^\circ C$ SOLD TIME : 3S	AREA COVERED : $\geq 98\%$ BY TIN
7	B VALUE	PUT IN THERMOSTATIC BATH T1= $25^\circ C$ T2= $85^\circ C$	$2950 \pm 5\%$