

Specification

- Standards According: CQC, GB14536.1-1998, GB14536.10-1996, JB/T3751-1997, EN60730-1, EN60730-2-9
- Resistance between terminals: below 50mΩ at DC5V/0.25A (initial figure)
- Insulated resistance: above 100MΩ (DC500V) at charged and non-charged portion.
- Dielectric strength: AC1500V for 1 second at charged and non-charged portion.
- Heat resistant: 100°C
- Obtained standard: CQC, TUV.
- Packing: 1 Box=40Pcsx5=2,000pcs. Box size : 470X340X230mm.

Marking:

4/6000

4/6003

4/6005

Type	Off Temp. (°C)	On Temp. (°C)	Contact State	Dielectric Rating	ART.N0
KSD201-50/35/100-HK	35±3	50±3	(N.O)	250V~10A	4/6000
KSD201-60/49/100-HK	49±3	60±3	(N.O)	250V~10A	4/6003
KSD201-70/59/100-HK	59±3	70±3	(N.O)	250V~10A	4/6005

No.	Drawing No.	Parts Name	Qty	Material	Remark
12	T1-01	Flange	1	SUS430	
11	T1-12	Actuator Pin	1	70 Al ₂ O ₃	
10	T1-18	Cop	1	Aluminum	
09	T1-10	Terminal	2	H65	
08	T1-20	Long Rivet	1	T2-M	
07	T1-20	Short Rivet	1	T2-M	
06	T1-11	Bimetal Disc	1	Bimetal	
05	T2-17	Top Cover	1	PPS	
04	T2-15	Movable Contact Plate	1	Alloy copper	
03	T2-16	Case	1	PPS	
02	T1-19	Movable Contact Stationary Contact Plate	1	Ag/Pd/Cu(T2)	
01	T1-13		1	H65/Ag	

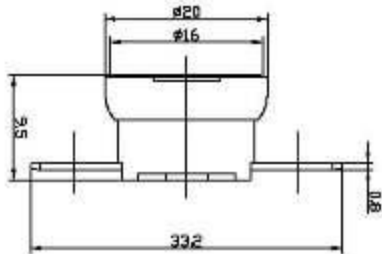
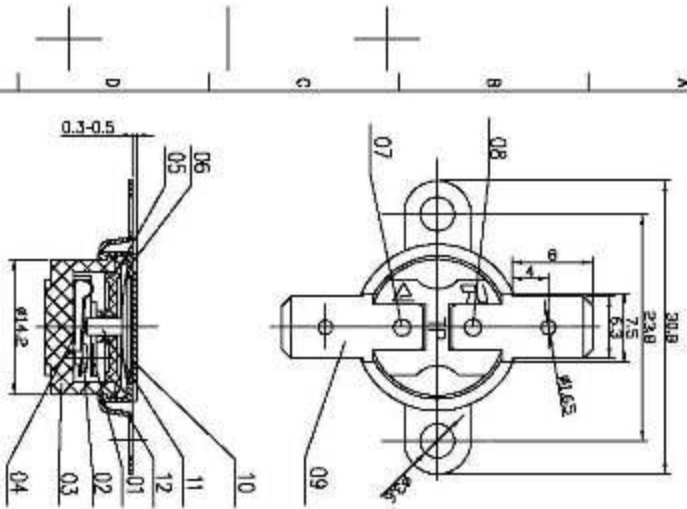
Marking:

Design: Snap Action SN: 20070503-03

Auditing: Thermostat

Technical: KSD201

Roll-off:

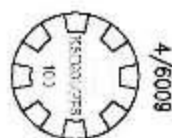
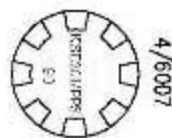
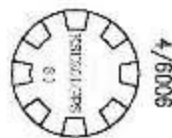


Specification

- 1. Standards According: COC, GB14536.1-1998, GB4536.10-1996, JB/T3751-1997, EN60730-1, EN60730-2-9
- 2. Resistance between terminals: below 50mΩ at 0.5V/0.25A (initial figure).
- 3. Insulated resistance: above 100MΩ (DC500V) at charged and non-charged portion.
- 4. Dielectric strength: AC1500V for 1 second at charged and non-charged portion
- 5. Heat resistant: 100°C
- 6. Obtained standard: COC, TUV
- 7. Packing: 1 Box=400 pcs=2,000 pcs. Box size : 470X340X230mm.

Type	Off Temp. (°C)	On Temp. (°C)	Contact State	Dielectric Rating	ART. NO
KSD201-80/56/100HK	69±3	80±3	(N.O)	250V~10A	4/6006
KSD201-90/75/100HK	75±3	90±3	(N.O)	250V~10A	4/6007
KSD201-100/85/100HK	85±3	100±3	(N.O)	250V~10A	4/6009

Marking:



12	T1-01	Flange	1	SUS430	
11	T1-12	Actuator Pin	1	70 Al ₂ O ₃	
10	T1-18	Cop	1	Aluminum	
09	T1-10	Terminal	2	H65	
08	T1-20	Long Rivet	1	T2-M	
07	T1-20	Short Rivet	1	T2-M	
06	T1-11	Bimetal Disc	1	Bimetal	
05	T2-17	Top Cover	1	PPS	
04	T2-15	Movable Contact	1	Alloy copper	
03	T2-16	Case	1	PPS	
02	T1-19	Movable Contact	1	Ag/Ni/Cu(12)	
01	T1-13	Stationary Contact	1	H65/Ag	
No.	Drawing No.	Parts Name	Qty	Material	Remark
		Snap Action Thermostat			
		SN: 20070503-04			
		KSD201			
		Marking	Qty	Material	Remark
		Design			
		Auditing			
		Technics			
		Ratifier			

Old No.
Base No.
Signature

1 2 3 4 5 6 7 8